



# S.E. WOOD/PLASTIC GRIPS

## USER GUIDE

### WARNING

Always observe gun safety rules when handling and/or working with firearms.

### PROP 65 WARNING

This product can expose you to chemicals known to the State of California to cause cancer.  
For more information, go to [www.P65Warnings.ca.gov](http://www.P65Warnings.ca.gov)

## INTRODUCTION

Thank you for your purchase of the Kendo Custom Shop Samurai Edge Grips by COLLECTOR DESIGN WERKS, the most authentic and high quality grips for the Beretta 92/96 series pistols. To ensure full enjoyment of your new grips and avoid damages, please read through this guide prior to installation and use.

## FEATURES

- Precision cut grip panels
- Integral magazine well
- Replaceable panel inserts
- Improved grip texture
- Metal medallions with color choice (optional)
- Hand stained and finished (wood only).

## BEFORE YOU START

### 1.1. COMPATIBILITY

The S.E. Grips are designed for Beretta 92/96, M9, and M9A1 series pistols that use standard full size grips.

### 1.2. FIREARM PREPARATION

Ensure the firearm is completely unloaded. Remove the existing grips from the frame, keep the screws somewhere safe for now.

### 1.3. HAMMER SPRING PLUG

Ensure your gun already have the flat type hammer spring plug installed (**Fig 1.**) If not, you will need to replace it with a flat version (fig.1) before proceeding any further.

### 1.4. TOOL(S) REQUIRED

- Appropriate sized screw driver or allen key - for removal/installation of grip screws.
- Hammer
- 1/8 pin punch - for removing/installing the hammer spring plug/pin.



**FIG. 1:** Flat Hammer Spring Plug, Beretta Part No.C56774

> Continued

## INSTALLATION

### 2.1. FITMENT

Refer to **Fig. 2**, Install the **Grip Panels (No.1)** followed by the **Panel Inserts (No.2)** onto the gun frame, aligning the screw holes then secure with your existing grip screws. Omit OEM screw washers.

**NOTE 1:** Each **Grip Panel** has a protruding "tab" that forms the back of the integral magazine well. The tabs are supported by the gun frame while mounted. However, when the **Grip Panels** are unmounted, the unsupported tabs are fragile and could break from impact. Take extra care while handling to avoid damage. Also, check to ensure there is no excessive tightness between the hammer spring plug and the grip tabs when fully seated.

**NOTE 2:** The **Panel Inserts** do not come permanently affixed to the **Grip Panels**, this allow future replaceability and style changes. However, if you prefer you may permanently affix them in place using Clear Epoxy.

**WARNING:** Do not overtighten the grip screws. Excessive torque may cause damage to the grips/panel inserts.

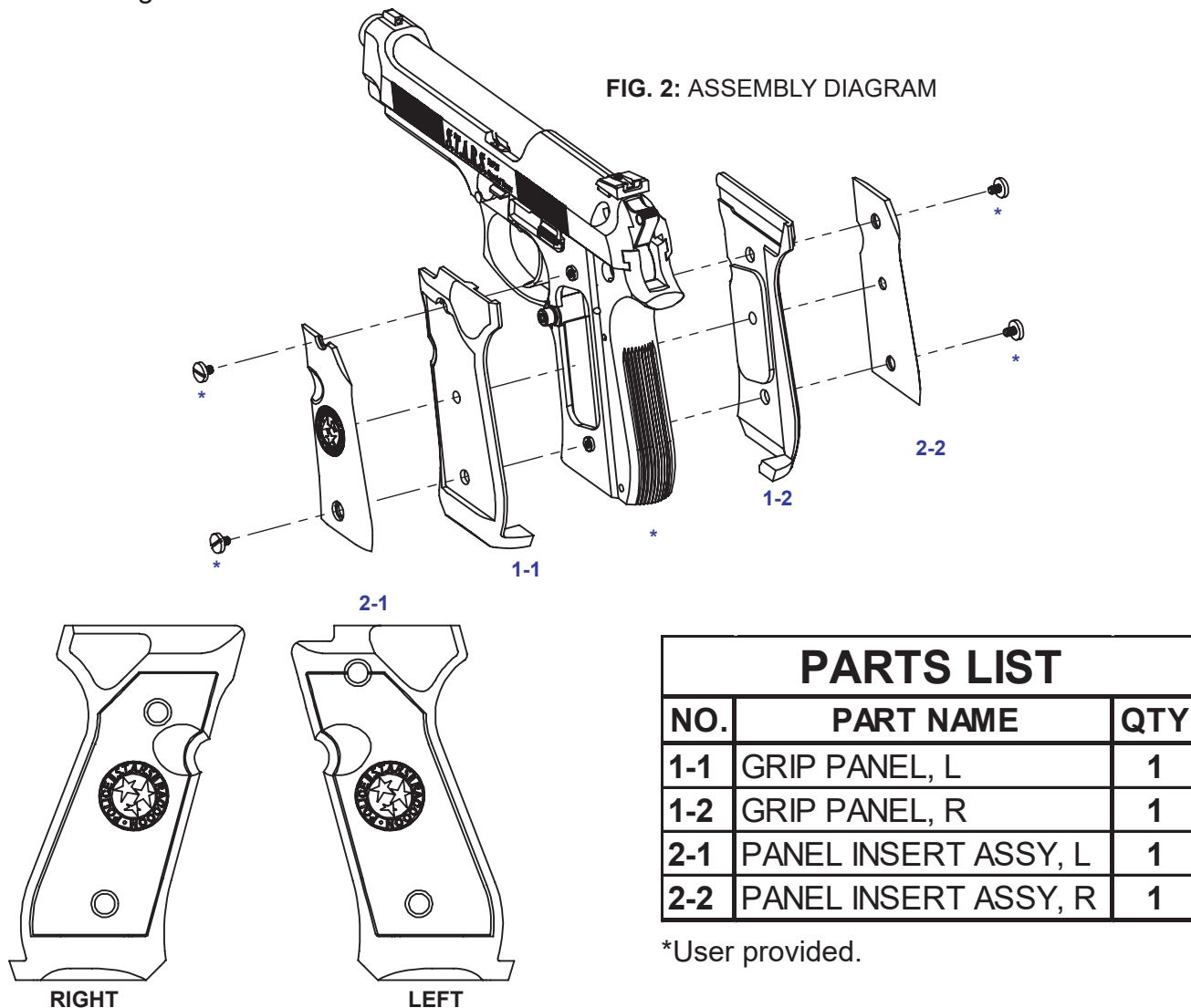
### 2.2. FUNCTION CHECK

Perform safety function check on your firearm.

## ADDITIONAL INFORMATION

### 3.1. GRIP CARE

As a general rule with wood, avoid contact with gun cleaning solvents and/or excessive gun oil as they may cause damage to the finish or delaminate adhesive materials overtime.



**COLLECTOR DESIGN WERKS**

[www.collectordesignwerks.com](http://www.collectordesignwerks.com)